

## 7 SERIES



**NEW**

 TIPPING LOAD <b>1550*</b> kg	 ENGINE POWER <b>35*</b> hp	 SPEED <b>10-19*</b> km/h	 FLOW RATE <b>68*</b> l/min	 LIFT HEIGHT <b>2,9</b> m
---	---	---	---	---

(\*) 7.3S

Model	NEW 7.2	7.3	7.3+	7.3S (2 speed)
Engine	Yanmar 3TNV76	Yanmar 3TNV82		
Power (Iso Gross)	28 HP	35 HP		
Fuel	Diesel			
Transmission	Hydrostatic			
Drive speed (max.)	11 km/h	15 km/h	11 km/h	10 - 19 km/h
Aux. hydraulics oil flow	37 l/min	68 l/min		
Max. lifting height	2,90 m			
Tipping load, max <sup>(1)</sup>	1500 kg	1550 kg		
Lifting capacity straight <sup>(2)</sup>	1200 kg	1240 kg		
Lifting capacity fully articulated <sup>(3)</sup>	1020 kg	1070 kg		
Breakout force / 50 cm	1700 kg			
Pushing force (c)	1690 kgf	1300 kgf	1690 kgf	2000 kgf
Specific ground pressure (w/standard tires)	1113 kg/m <sup>2</sup>	1154 kg/m <sup>2</sup>		1168 kg/m <sup>2</sup>
Turning radius: inside/outside	825/2090 mm			
Standard tires (Tractor profile)	26 x 12-12			
Weight	1610 kg	1670 kg		1690 kg
Product Code	C962015	C962000	C962005	C962010

Tires size	Width (N)	Height (Q)
26X12.00-12	1300 mm	2040 mm
27X10.50-15	1150 mm	2080 mm

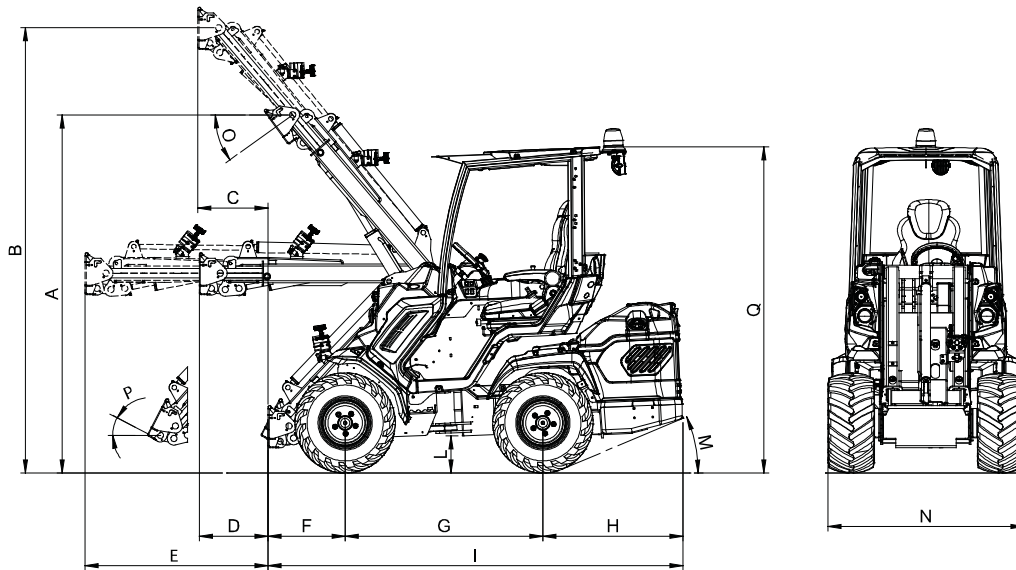
(1) Maximum load that can be lifted just off the ground when the machine is straight, with backweights and boom not extended. Weight of attachment included.

(2) Machine straight, with backweights and boom not extended. Weight of attachment is included. (80% of tipping load).

(3) Machine fully articulated, with backweights and boom not extended. Weight of attachment is included.

**MULTI ONE**

## 7 SERIES - FEATURES AND OPTIONS



### Dimensions (mm / in)

A - Pivot point height (not extended boom)	2280	I - Machine length	2690
B - Pivot point height (extended boom)	2900	L - Ground clearance	210
C - Outreach with lifted boom (extended boom)	455	M - Angle of departure (with/without backweights)	15°
D - Outreach with orizontal boom (not extended)	445	N - Max width (with standard tires)	1130
E - Outreach with orizontal boom (extended)	1185	O - Dump angle	36°
F - Front length	500	P - Rollback angle	29°
G - Wheelbase	1280	Q - Height (with standard tires)	2000
H - Rear length	910		

### Features

- Hi-Flow system (not available for 7.2)
- 4WD hydrostatic Direct Drive motors
- DBS (Dynamic Block System)
- Torque divider
- Self-levelling double-H telescopic boom
- 11-functions joystick (only 7.3, 7.3+, 7.3S)
- Multi-disk parking brake
- Integrated backweight
- Radial Piston Wheel Motor
- Hydraulic oil cooler
- Hydraulic multiconnector
- ROPS-FOPS Level I
- LCD graphic display with programmed service (tachometer, hour meter, fuel gauge, maintenance light, light indicator and other 14 indicators)
- 2 front working light
- Ergonomic full adjustable suspension seat with armrests and safety belt.
- 2 speed (only 7.3S)

## 7 SERIES - FEATURES AND OPTIONS

Options	Code	
Floating boom valve	C883011	
Fully glass cab	C883001	
Multifunction joystick (only 7.2)	C883041	
Plexiglass windscreen (smart cabin)	C883000	
Plexiglass right side (smart cabin)	C883034	
Plexiglass back window (smart cabin)	C883035	
Led Road lights "Hella"	C883009	
3 additional working led light "Hella"	C883018	
Automatic locking plate	C883038	
Attachment coupling plate for rear mounting	C880031	
Multiconnector to quick coupling 3 lines adapter	C880221	
Trailer coupling	C885014	
Additional backweights (184 kg)	C880054	
Backup warning beeper	C883021	
High comfort seat	C883006	
Driver area cover	C880049	
Beacon light	C883039	
Left protection bar for operator	C883020	
Rear 12V electric socket	C883022	
Rear hydraulic outlets - single	C883013	
Rear hydraulic outlets - double	C883014	
Additional front hydraulic outlets (not available for 7.2)	C883024	
Wheel spacer 10 mm (max. 1 pcs for wheel)	C880090	
Wheel spacer 55 mm, set of 4	C885010	
Biodegradable oil	C883007	
Grass tires 26x12.00-12 ET-50, set of 4	C884010	
Skid tires 27x10.50-15, set of 4	C884012	
Rear bull bar with side extensions	C883036	